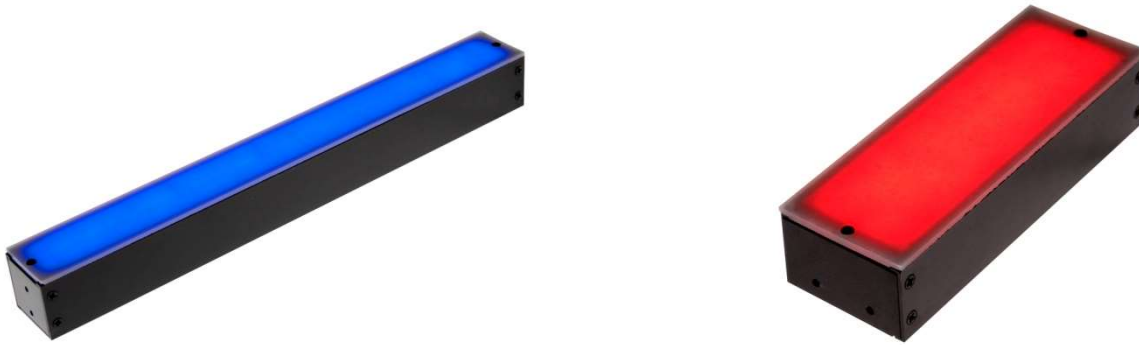


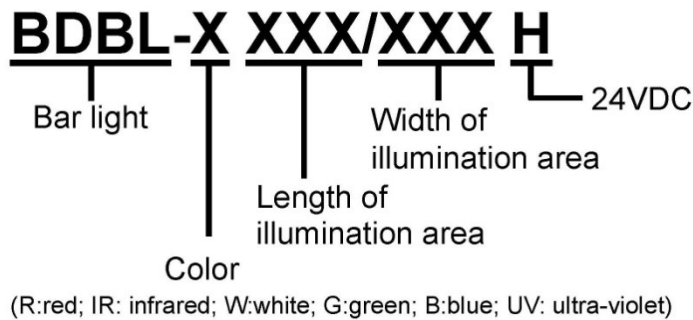
BDBL SERIES

FEATURES

- High intensity LED array is allocated on compact bar shape structure. It can supply lighting in any desired angle.
- Full wavelength unit available.
- Diffuser and polarizer are available.



PART IDENTIFICATION NUMBER



LIGHT LAYOUT

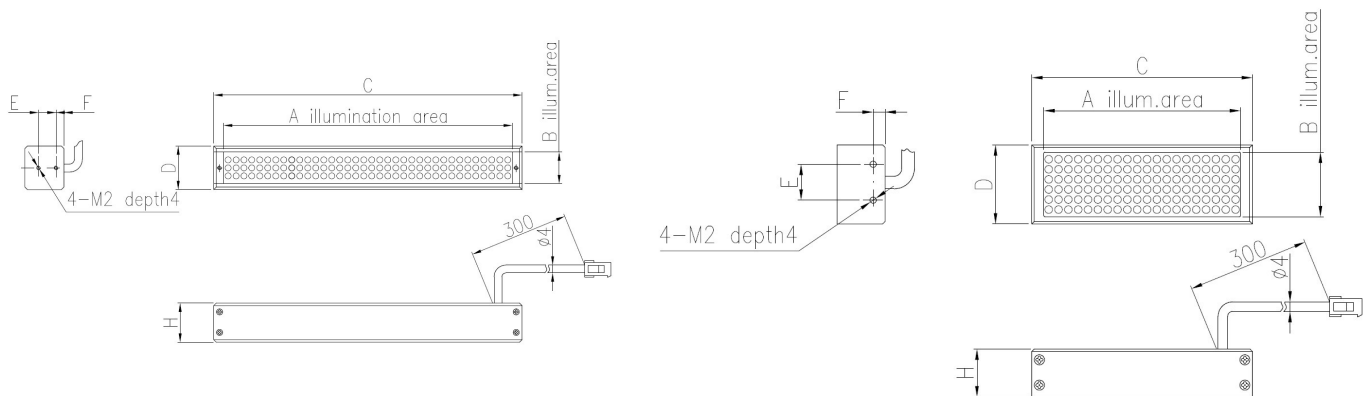


Fig. A

Fig. B

SPECIFICATION

ITEM NUMBER	COLOR	VOLTAGE/ POWER	ROWS OF LED	DIMENSIONS						
				A	B	C	D	E	F	H
BDBL-R(IR)33/16	●/●	12V/0.96W	3	33	16	43	22.3	9	4	20
BDBL-R(IR)33/16H	●/●	24V/0.96W	3	33	16	43	22.3	9	4	20
BDBL-W(B/G)33/16	○/●/●	24V/1.54W	3	33	16	43	22.3	9	4	20
BDBL-R(IR)41/16	●/●	12V/1.20W	3	41	16	51	22.3	9	4	20
BDBL-R(IR)41/16H	●/●	24V/1.44W	3	41	16	51	22.3	9	4	20
BDBL-W(B/G)41/16	○/●/●	24V/1.92W	3	41	16	51	22.3	9	4	20
BDBL-R(IR)82/16	●/●	12V/2.40W	3	82	16	92	22.3	9	4	20
BDBL-R(IR)82/16H	●/●	24V/2.88W	3	82	16	92	22.3	9	4	20
BDBL-W(B/G)82/16	○/●/●	24V/3.84W	3	82	16	92	22.3	9	4	20
BDBL-R(IR)82/27	●/●	12V/4.80W	6	82	27	92	33	15	5	20
Dimensions see Fig. B										
BDBL-R(IR)82/27H	●/●	24V/5.76W	6	82	27	92	33	15	5	20
Dimensions see Fig. B										
BDBL-W(B/G)82/27	○/●/●	24V/7.68W	6	82	27	92	33	15	5	20
Dimensions see Fig. B										
BDBL-R(IR)131/16	●/●	12V/3.84W	3	131	16	141	22.3	9	4	20
BDBL-R(IR)131/16H	●/●	24V/3.84W	3	131	16	141	22.3	9	4	20
BDBL-W(B/G)131/16	○/●/●	24V/6.14W	3	131	16	141	22.3	9	4	20
BDBL-R(IR)148/16	●/●	12V/4.32W	3	148	16	158	22.3	9	4	20
BDBL-R(IR)148/16H	●/●	24V/5.76W	3	148	16	158	22.3	9	4	20
BDBL-W(B/G)148/16	○/●/●	24V/6.91W	3	148	16	158	22.3	9	4	20
BDBL-R(IR)181/16	●/●	12V/5.28W	3	181	16	191	22.3	9	4	20
BDBL-R(IR)181/16H	●/●	24V/5.28W	3	181	16	191	22.3	9	4	20
BDBL-W(B/G)181/16	○/●/●	24V/8.45W	3	181	16	191	22.3	9	4	20
BDBL-R(IR)196/16	●/●	12V/5.76W	3	196	16	207	22.3	9	4	20
BDBL-R(IR)196/16H	●/●	24V/7.68W	3	196	16	207	22.3	9	4	20
BDBL-W(B/G)196/16	○/●/●	24V/9.22W	3	196	16	207	22.3	9	4	20
BDBL-R(IR)300/16	●/●	12V/8.88W	3	303.8	16	314	22.3	9	4	20
BDBL-R(IR)300/16H	●/●	24V/11.52W	3	303.8	16	314	22.3	9	4	20
BDBL-W(B/G)300/16	○/●/●	24V/14.21W	3	303.8	16	314	22.3	9	4	20

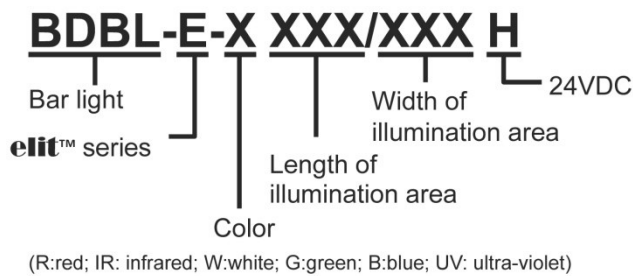
※Dimensions in mm unless otherwise specified.

BDBL-E SERIES

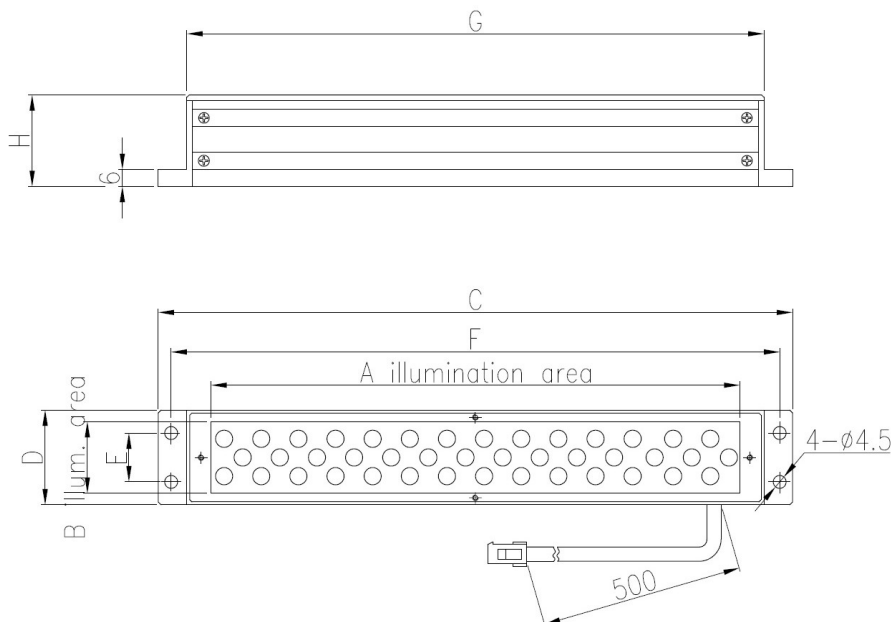
elit™ series made of 5mm LED. With diffusing technology applied, the optimization of practicability, stability and excellent price performance are obtained to fit most applications in industrial inspection. BDBL-E is made with 2-1-2 allocation LED array and BDBLE is made with 3 row LED array for higher intensity.



PART IDENTIFICATION NUMBER



LIGHT LAYOUT

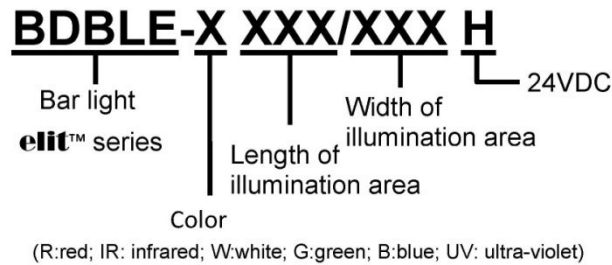


SPECIFICATION

ITEM NUMBER	COLOR	VOLTAGE/ POWER	ROWS OF LED	DIMENSIONS								
				A	B	C	D	E	F	G	H	
BDBL-E-R(IR)185/25	●/●	12V/2.16W	2.5	185	25	222	33	17	213	202	30	
BDBL-E-R(IR)185/25H	●/●	24V/2.88W	2.5	185	25	222	33	17	213	202	30	
BDBL-E-W(B/G)185/25	○/●/●	24V/3.46W	2.5	185	25	222	33	17	213	202	30	
BDBL-E-R(IR)305/25	●/●	12V/3.60W	2.5	305	25	342	33	17	333	322	30	
BDBL-E-R(IR)305/25H	●/●	24V/4.80W	2.5	305	25	342	33	17	333	322	30	
BDBL-E-W(B/G)305/25	○/●/●	24V/5.76W	2.5	305	25	342	33	17	333	322	30	
BDBL-E-R(IR)605/25	●/●	12V/7.20W	2.5	605	25	642	33	17	633	622	30	
BDBL-E-R(IR)605/25H	●/●	24V/9.60W	2.5	605	25	642	33	17	633	622	30	
BDBL-E-W(B/G)605/25	○/●/●	24V/11.52W	2.5	605	25	642	33	17	633	622	30	

※Dimensions in mm unless otherwise specified.

PART IDENTIFICATION NUMBER



LIGHT LAYOUT

Fig. C

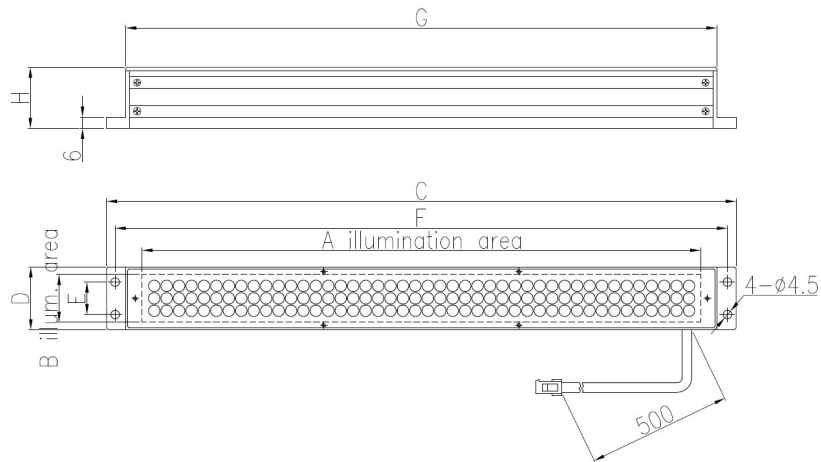
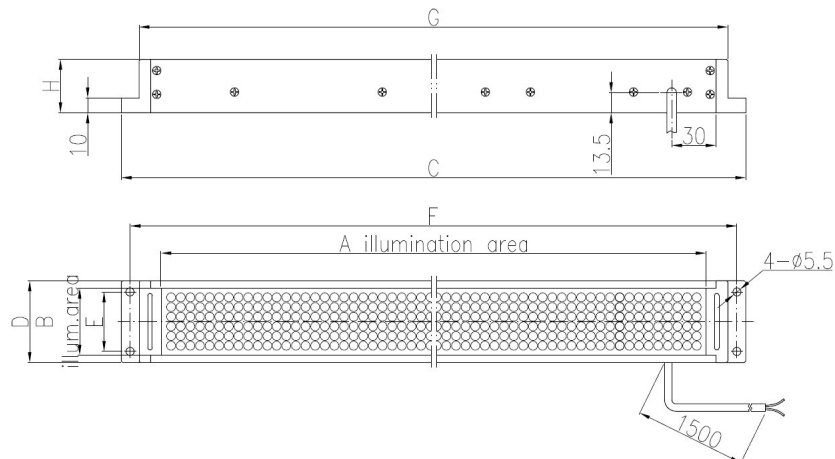


Fig. D



SPECIFICATION

ITEM NUMBER	COLOR	VOLTAGE/ POWER	ROWS OF LED	DIMENSIONS							
				A	B	C	D	E	F	G	H
BDBLE-R(IR)76/25	●/●	12V/1.44W	3	76	25	113	33	17	104	93	30
BDBLE-R(IR)76/25H	●/●	24V/1.92W	3	76	25	113	33	17	104	93	30
BDBLE-W(B/G)76/25	○/●/●	24V/2.30W	3	76	25	113	33	17	104	93	30
BDBLE-R(IR)184/25	●/●	12V/3.60W	3	184	25	221	33	17	212	201	30
BDBLE-R(IR)184/25H	●/●	24V/4.80W	3	184	25	221	33	17	212	201	30
BDBLE-W(B/G)184/25	○/●/●	24V/5.76W	3	184	25	221	33	17	212	201	30
BDBLE-R(IR)292/25	●/●	12V/5.76W	3	292	25	329	33	17	320	309	30
BDBLE-R(IR)292/25H	●/●	24V/7.68W	3	292	25	329	33	17	320	309	30
BDBLE-W(B/G)292/25	○/●/●	24V/9.22W	3	292	25	329	33	17	320	309	30
BDBLE-R(IR)508/25	●/●	12V/10.08W	3	508	25	545	33	17	536	525	30
BDBLE-R(IR)508/25H	●/●	24V/13.44W	3	508	25	545	33	17	536	525	30
BDBLE-W(B/G)508/25	○/●/●	24V/16.13W	3	508	25	545	33	17	536	525	30
BDBLE-R(IR)600/45	●/●	12V/24.00W	6	604	45	658.5	55	40	646.5	634.5	36
Dimensions see Fig. D											
BDBLE-R(IR)600/45H	●/●	24V/31.68W	6	604	45	658.5	55	40	646.5	634.5	36
Dimensions see Fig. D											
BDBLE-W(B/G)600/45	○/●/●	24V/38.40W	6	604	45	658.5	55	40	646.5	634.5	36
Dimensions see Fig. D											
BDBLE-R(IR)652/25	●/●	12V/12.96W	3	652	25	689	33	17	680	669	30
BDBLE-R(IR)652/25H	●/●	24V/17.28W	3	652	25	689	33	17	680	669	30
BDBLE-W(B/G)652/25	○/●/●	24V/20.74W	3	652	25	689	33	17	680	669	30

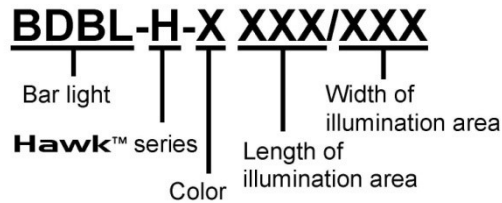
※Dimensions in mm unless otherwise specified.

BDBL-H SERIES

Hawk™ series is made of high power LED. It offers high intensity illumination and long working distance application and is ideal for large work pieces.

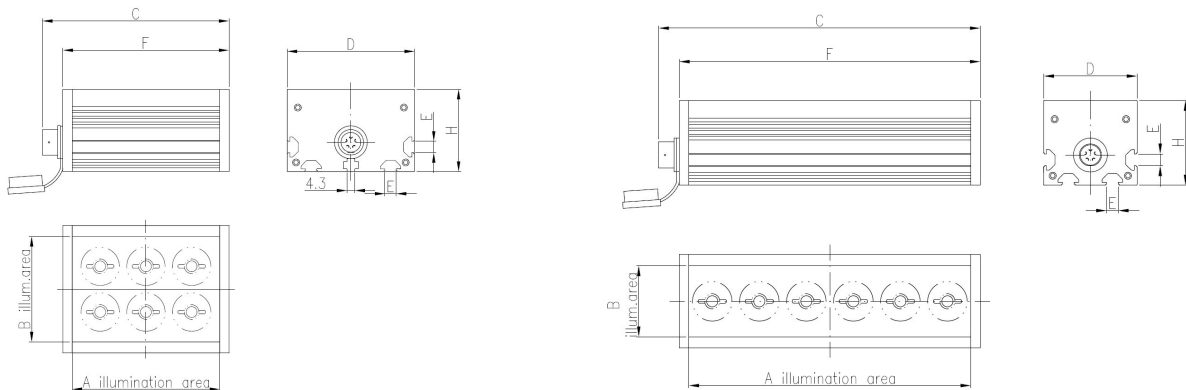


PART IDENTIFICATION NUMBER



LIGHT LAYOUT

(R:red; IR: infrared; W:white; G:green; B:blue; UV: ultra-violet)



SPECIFICATION

ITEM NUMBER	COLOR	VOLTAGE/ POWER	ROWS OF LED	DIMENSIONS						
				A	B	C	D	E	F	H
BDBL-H-R(W/B/G)80/55	●/○/●/●	24V/ 8.40W	2	80	55	102	70	6.2	91	45
BDBL-H-R(W/B/G)150/35	●/○/●/●	24V/ 8.40W	1	150	35	171	50	6.2	160	45
BDBL-H-R(W/B/G)300/35	●/○/●/●	24V/ 16.80W	1	300	35	321	50	6.2	310	45
BDBL-H-R(W/B/G)450/35	●/○/●/●	24V/ 25.20W	1	450	35	471	50	6.2	460	45
BDBL-H-R(W/B/G)600/35	●/○/●/●	24V/ 33.60W	1	600	35	621	50	6.2	610	45

※Dimensions in mm unless otherwise specified.

Custom made LED lights can be manufactured according to characteristic of the objects inspected, working distance, lighting angle and field of vision.